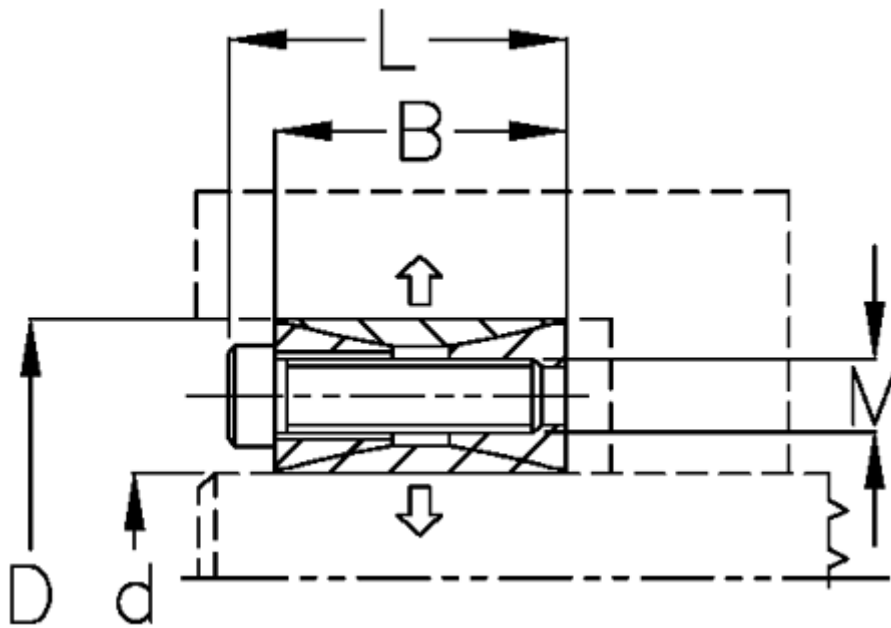


Article number: 432000190

Description: Rota-fix shaft-hub connection A 190x250  
Steel

Note: Not self centering. Medium-high torques.

## Measures



|   |                              |
|---|------------------------------|
| B mm  | = 52                         |
| d H8 mm   | = 190250                     |
| D mm  | = 250                        |
| Fit tolerance                                     | = Aksel k11-h11, Nav N11-H11 |
| F kN torque                                       | = 552.0                      |
| L mm  | = 66                         |
| M mm  | = M14                        |
| P N/mm <sup>2</sup> surface pressure on shaft/hub | = 127                        |

|                               |   |
|-------------------------------|---|
| Surface roughness             | = |
| T N m torque                  | = |
| Ts N m bolt tightening torque | = |